

# MR Highbay 150

## ML-MRNLP150



### MR NLP series 150W LED highbay

5,000K Output

**Product code/category**

ML-MRNLP150 / Highbays

**Product information**

The new Mates Rates range of highbays from M-Elec combines performance with superior value. With a focus on the electrician, the product has been designed to be lightweight for easy installation and yet dissipates heat rapidly. With a high efficacy of 140lm/W, up to 277V AC input and enhanced optics the NLP range of highbays is robust, reliable and very competitive in price.



#### Features and benefits

- Lightweight, robust construction
- Unique fin cooling design
- High efficacy 140lm/W
- Polycarbonate lens with enhanced optics
- 0-10V dimming
- Wide voltage range driver



#### Technical details

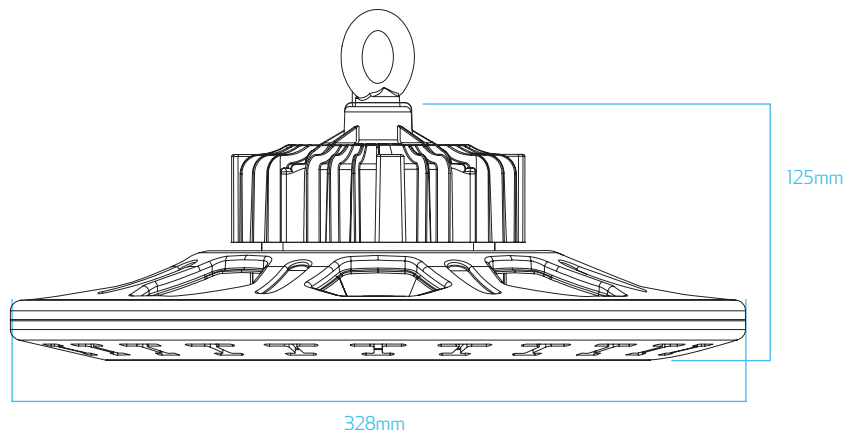
**Total power consumed:** 150W  
**Lumen output:** 20,800lm  
**Colour temperature:** 5,000K  
**IP rating:** IP65  
**CRI:** 80+  
**Efficacy:** 140lm/W  
**Power supply:** 100-277V AC integrated driver  
**Frequency:** 50/60Hz  
**Current:** 1.7A  
**Power factor:** >0.9  
**LED chip brand:** Lumileds

**LED tests:** LM80  
**Temperature range:** -40°C to +40°C  
**IK Rating :** IK08  
**Net weight:** 2.5kg  
**Beam angle:** 90 degrees (no reflector)  
**Dimmable:** Yes (0-10V)  
**Average life:** 50,000hrs\*  
**Connection:** 2m flex & plug  
**Bezel:** Powder coated black  
**Mounting method:** Hang ring  
**Dimensions:** H120mm | D 328mm

**Material type:** Forged 1060 aluminium, polycarbonate lens, stainless steel hang ring  
**Kit includes:** 1 x LED highbay, 1 x Instructions  
**Compliance:** AS/NZS 60598.2.1, AS/NZS 60598.1

\*Average life is calculated on expected average lifespan

#### Measurements



# MR Highbay 150

## ML-MRNL150

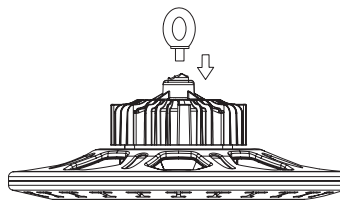


### Installation instructions

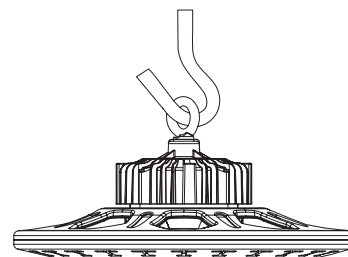


#### PLEASE FOLLOW INSTRUCTIONS FOR CORRECT INSTALLATION:

1. Before commencing installation or maintenance, ensure electricity is switched off at the mains
2. Remove existing light and disconnect any unsuitable wiring OR install the new highbay by the suitable mounting method (see PIC.1 & PIC.2)
3. Ensure you install a 'fail safe' in case the initial supports fail on the highbay
4. Plug the new highbay into the power outlet
5. (Optional) For connections to 0-10V control or dimming, connect directly to the 0-10V cable coming from the power supply
6. Test the highbay for safety and performance



PICTURE 1



PICTURE 2

### PLEASE NOTE

- To avoid the risk of fire, explosion, or electric shock, this product should be installed, inspected, and maintained by a qualified electrician only, in accordance with all applicable electrical codes.
- To avoid electric shock make sure the electrical power is OFF before and during installation and maintenance.
- To avoid risk of explosion do not install where the marked operating temperatures exceed the ignition temperature of the hazardous atmosphere. Do not operate in ambient temperatures above those indicated on the luminaire nameplate.
- For type Y attachments: If the external flexible cable or cord of this luminaire is damaged, it shall be exclusively replaced by the manufacturer, service agent or a similar qualified person in order to avoid the hazard.

### Maintenance

1. Make sure the power has been turned off before maintenance or repairing
2. Clean the lens cover regularly to maintain high transmission of light
3. Clean the dust from the reflector and heat sink regularly to keep sound heat dispersion
4. Be careful not to use water or a corrosive solution for cleaning, preferably with a dry cloth

### Warranty disclaimer

#### M-ELEC TRANSFORMERS/DRIVERS

M-Elec provides warranty against defects of M-Elec drivers on the following terms and conditions. Please refer to the M-Elec website (below) for information on the warranty period of each product.

The driver must be properly installed by a qualified electrician and in accordance with our installation guidelines and any relevant codes and standards.

**The warranty does not apply to M-Elec drivers that fail as a result of neglect, mistake, misuse, alteration, exposure to the elements, or that is improperly installed and implemented.** This includes but is not limited to: improper wiring, installation under improper and non-approved operating environments such as temperature, humidity, corrosion or voltage conditions; improper installation using components that are not approved or are not M-Elec manufactured products.

It is the responsibility of the purchaser to obtain all necessary approvals and to understand the products intended use and all relevant instructions, recommendations and guidelines for the proper installation and use of any M-Elec driver product and related 'manufactured products' used in conjunction with same.

M-Elec is not liable for the accuracy and completeness of any statements, technical information and recommendations in any form of product literature or instructions are not guaranteed and are not part of this warranty and does not in any way constitute a warranty. The purchaser is solely responsible for determining suitability of the M-Elec drivers for installation and full implementation must determine potential applications and installations independently.

To make a claim on this warranty, you must do so within the warranty period (from place of purchase). Please read our returns policy for further information (<https://melec.com.au/returns-policy/>) and deliver the driver to M-Elec (at your cost) at the address given below. We will assess the warranty claim and if we grant the warranty claim, we will replace the product or refund your money, at our election.

**M-Elec is not responsible or liable for any injuries, damages, or death caused by the use, misuse or failure of products purchased from us.** This warranty is in addition to any other rights the consumer may have under the Australian Consumer Law.

#### M-ELEC LED PRODUCTS - OTHER

Please refer to the M-Elec website ([melec.com.au](https://melec.com.au)) for information on the warranty period of each product. Each of our LED product warranties is separate and subject to the following terms and conditions:

M-Elec products must be properly installed by a qualified electrician and in accordance with any relevant guidelines, codes and standards. This includes wiring and connection to proper approved components and product working environments.

**This warranty is void and does not apply to products that fail as a result of neglect, mistake, misuse, alteration, or that is improperly installed and implemented.** This includes but is not limited to: improper wiring, installation under improper and non-approved operating environments such as temperature, humidity, corrosion or voltage conditions; improper installation using components that are not approved or are not M-Elec manufactured products.

It is the responsibility of the purchaser to obtain all necessary approvals and to understand the products intended use and all relevant instructions, recommendations and guidelines for the proper installation and use of any M-Elec products and related 'manufactured products' used in conjunction with same.

M-Elec is not liable for the accuracy and completeness of any statements, technical information and recommendations in any form of product literature or instructions are not guaranteed and are not part of this warranty and does not in any way constitute a warranty. The purchaser is solely responsible for determining suitability of the M-Elec LED products for installation and full implementation must determine potential applications and installations independently.

The LED product warranties do not cover LEDs that continue to light, but exhibit varying/differing forward voltage drops, light output, or colour/wavelength.

Warranty is void if LEDs are cut in any way (outside of LED strip instructions) or damaged by neglect.

Warranty is void if products have been altered, opened/modified in any way that is outside the bounds of normal electrical work. **Please note:** This does not include removing or hard wiring downlight drivers or the hard wiring of a flex on an M-Elec flood light.

To make a claim on any of M-Elec's products, you must do so within the warranty period (from place of purchase) please read our returns policy for further information (<https://melec.com.au/returns-policy/>) and deliver the product to M-Elec (at your cost) at the address given below. M-Elec will assess the warranty claim by conducting electrical tests, making sure the contacts still exist on the LED and visual and microscopic inspection to make sure there is no visible physical damage. If M-Elec grants the warranty claim, we will replace the product or refund your money, at our election.

**M-Elec is not responsible or liable for any injuries, damages, or death caused by the use, misuse or failure of products purchased from us.** This warranty is in addition to any other rights the consumer may have under the Australian Consumer Law.

To the fullest extent permitted by law, no warranties other than those described above are given in respect of M-Elec products. M-Elec's liability is limited, to the fullest extent permitted by law, to the refund or replacement of the M-Elec products. We expressly do not warrant that an M-Elec product will last any particular length of time nor guarantee is made as to fitness to a particular application, since we have no control of the electrical supply or circuits you are using to drive the LEDs.

M-Elec goods come with guarantees that cannot be excluded under the Australian Consumer Law.

**ALL RETURNS MUST BE RETURNED TO M-ELEC HEAD OFFICE - 3/29 Premier circuit, Warana, QLD 4575, Australia.**

**Please read our returns policy procedure for further information on M-Elec website [m-elec.com](https://melec.com.au). or request it via phone 1300 222 445 from our customer care consultants.**